

SM8T Series Miniature SMD Crystal

November 2018



- Pletronics' SM8T Series is a miniature low profile surface mount crystal.
- Package is ideal for automated surface mount assembly and reflow practices.
- Tape and Reel packaging
- 20 MHz to 80 MHz
- 1.6 x 2.0 mm 4 pad
- AT Cut Fundamental Crystal
- Ideal for use in hand held consumer products

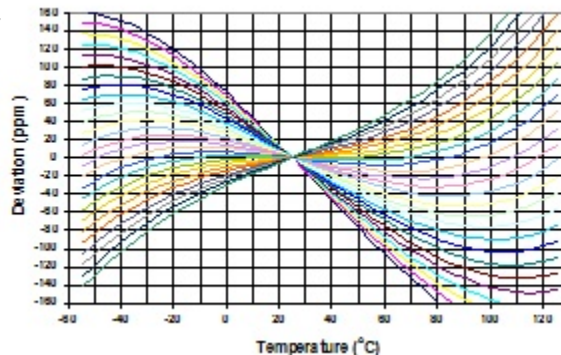
Pletronics Inc. certifies this device is in accordance with the RoHS 6/9 (2011/65/EC) and WEEE (2002/96/EC) directives.

Pletronics Inc. guarantees the device does not contain the following:
 Cadmium, Hexavalent Chromium, Lead, Mercury, PBB's, PBDE's
 Weight of the Device: 0.02 grams
 Moisture Sensitivity Level: 1 As defined in J-STD-020C
 Second Level Interconnect code: e4

Electrical Specification:

Item	Min	Max	Unit	Condition
Frequency Range	20	80	MHZ	
Calibration Frequency Tolerance	50	150	ppm	at +25°C ± 3°C, see part number for options
Frequency Stability	50	150	ppm	see part number for available options
Equivalent Series Resistance (ESR)	-	100	Ohms	to 24 MHZ
	-	80	Ohms	to 26 MHZ
	-	60	Ohms	to 40 MHZ
	-	50	Ohms	to 80 MHZ
Drive Level	-	100	µW	use 10 µW for testing
Shunt Capacitance (C0)	-	5	pF	Pad to Pad capacitance
Aging at 25°C ± 3°C	-5	+5	ppm /Yr	for the first year at +25°C ± 3°C
	-2	+2	ppm /Yr	after the first year at +25°C ± 3°C
Operating Temperature Range	-40	+125	°C	see part number for available specified tolerance range options
Storage Temperature Range	-55	+125	°C	

AT Cut Crystal Frequency versus Temperature Typical Performance:



Part Number:

SM8T -8 -25.0M -50 H 1 G G -XX

See chart below for available options

Internal code or blank
Highest Specified Operating Temperature A = 40°C G = 70°C N = 100°C B = 45°C H = 75°C P = 105°C C = 50°C J = 80°C R = 110°C D = 55°C K = 85°C S = 115°C E = 60°C L = 90°C T = 120°C F = 65°C M = 95°C U = 125°C
Lowest Specified Operating Temperature A = +10°C F = -15°C L = -40°C B = +5°C G = -20°C M = -45°C C = 0°C H = -25°C N = -50°C D = -5°C J = -30°C P = -55°C E = -10°C K = -35°C
Fundamental mode AT cut crystal
Frequency Stability See chart below
Calibration Frequency Tolerance (Typ. Values shown) 20 = ± 20 ppm at 25°C ± 3°C 50 = ± 50 ppm at 25°C ± 3°C (Standard)
Frequency in MHZ
Load in pF Parallel Resonance from 06 to 32 pF, 8 pF is standard -or- SR = Series Resonance
Model Number

Current production ranges are shown below.

Operating Temperature Range	CODE	Available Frequency Stability versus Temperature in ppm									
		A	B	C	D	E	F	G	H	J	K
0 to +45°C	CB	± 3.0	± 5.0	± 8.0	± 10	± 15	± 20	± 30	± 50	± 100	± 150
0 to +50°C	CC								•	•	•
0 to +60°C	CE								•	•	•
0 to +70°C	CG								STD	•	•
-10 to +50°C	EC								•	•	•
-10 to +60°C	EE								•	•	•
-10 to +75°C	EH								•	•	•
-20 to +70°C	GG								•	•	•
-20 to +75°C	GH										
-30 to +75°C	JH										
-30 to +80°C	JJ										
-30 to +85°C	JK										
-35 to +80°C	KJ										
-40 to +85°C	LK										

Marking and Packing Information

The part will be marked **PFFM**
YMDx

- Marking consists of the frequency "FF" which will be truncated to the first two digits due to package size.
- Date code consists of Year, Month and Day (see codes below)
- The x is an internal PLE production code
- Orientation of marking may be mixed on the tape
- Traceability of part is lost once removed from reel

Codes for Date Code YMD

Code	4	5	6	7	8	9	0
Year	2014	2015	2016	2017	2018	2019	2020





Code	A	B	C	D	E	F	G	H	J	K	L	M
Month	JAN	FEB	MAR	APR	MAY	JUN	JUL	AUG	SEP	OCT	NOV	DEC

Code	1	2	3	4	5	6	7	8	9	A	B	C
Day	1	2	3	4	5	6	7	8	9	10	11	12
Code	D	E	F	G	H	J	K	L	M	N	P	R
Day	13	14	15	16	17	18	19	20	21	22	23	24
Code	T	U	V	W	X	Y	Z					
Day	25	26	27	28	29	30	31					

Package Labeling

Label is 1" x 2.6" (25.4mm x 66.7mm)
Font is Courier New
Bar code is 39-Full ASCII

Label is 1" x 2.6" (25.4mm x 66.7mm)
Font is Arial

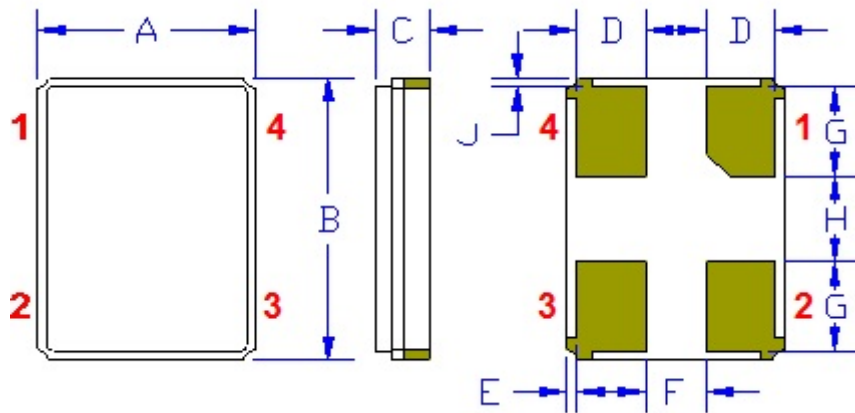
P/N: 
SM8T-10-16.0M-10D1CG
Customer P/N: 
12345678
Qty: 
1000
D/C: 
8HK-WY
MSL: 1

RoHS Compliant
2nd LvL Interconnect
Category=e4
Max Safe Temp=260C for 10s 2X Max

Reliability: Environmental Compliance

Parameter	Condition
Mechanical Shock	MIL-STD-883 Method 2002, Condition B
Vibration	MIL-STD-883 Method 2007, Condition A
Solderability	MIL-STD-883 Method 2003
Thermal Shock	MIL-STD-883 Method 1011, Condition A

Mechanical:



	Inches	mm
A	0.063 ± 0.004	1.6 ± 0.1
B	0.079 ± 0.004	2.0 ± 0.1
C	0.018 ± 0.004	0.45 ± 0.1
D ¹	0.018	0.45
E ¹	0.004	0.1
F ¹	0.020	0.5
G ¹	0.022	0.55
H ¹	0.028	0.7
J ¹	0.004	0.1

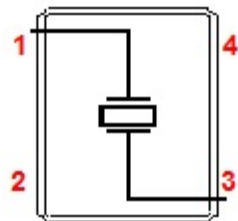
Contacts :

Gold 11.8 μinches 0.3 μm minimum over
Nickel 50 to 350 μinches 1.27 to 8.89 μm

Not to Scale

¹ Typical dimensions

Connection (top view):



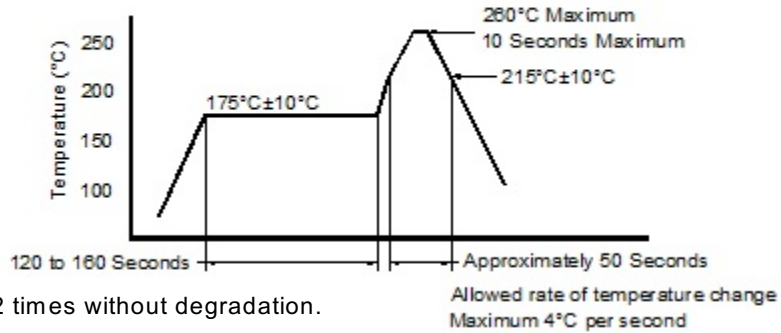
Pad 2 and Pad 4 are common and connected to the metal cover. They are not connected to the crystal.



Layout and application information

- Trace lengths to the crystal should be kept as short as possible.
- The crystal connections are sensitive to noise.
- The package should be grounded for optimum performance, pad 2 and/or pad 4 connected to ground.

Reflow Cycle (typical for lead free processing)



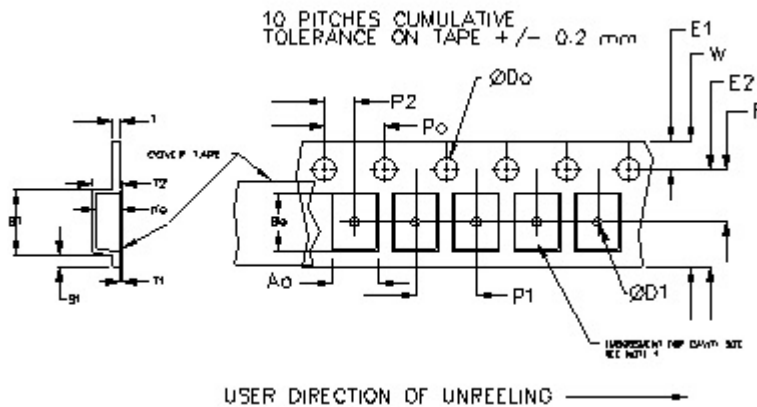
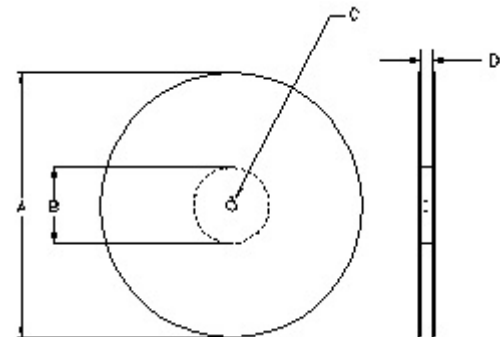
The part may be reflowed 2 times without degradation.

Tape and Reel: available for quantities of 250 to 3000 per reel (<1000 will be cut tape)

Constant Dimensions Table 1								
Tape Size	D0	D1 Min	E1	P0	P2	S1 Min	T Max	T1 Max
8mm	1.5	1.0	1.75	4.0	2.0 ± 0.05	0.6	0.25	0.1
12mm		1.5			2.0 ± 0.1			
16mm		+0.1 -0.0			1.5			
24mm		1.5			1.5			

Variable Dimensions Table 2							
Tape Size	B1 Max	E2 Min	F	P1	T2 Max	W Max	Ao, Bo & Ko
8 mm	3.5	6.4	1.7 ± 0.1	4.0 ± 0.1	1.0	8.9	Note 1

Note 1: Embossed cavity to conform to EIA-481-B Dimensions in mm Not to scale



		REEL DIMENSIONS			Tape Width
A	inches	7.0	10.0	13.0	
	mm	177.8	254.0	330.2	
B	inches	2.50	4.00	3.75	
	mm	63.5	101.6	95.3	
C	mm	13.0 +0.5 / -0.2			
D	mm	8.4 +2.0 -0.0	8.4 +2.0 -0.0	8.4 +2.0 -0.0	8.0

Reel dimensions may vary from the above

IMPORTANT NOTICE

Pletronics Incorporated (PLE) reserves the right to make corrections, improvements, modifications and other changes to this product at anytime. PLE reserves the right to discontinue any product or service without notice. Customers are responsible for obtaining the latest relevant information before placing orders and should verify that such information is current and complete. All products are sold subject to PLE's terms and conditions of sale supplied at the time of order acknowledgment.

PLE warrants performance of this product to the specifications applicable at the time of sale in accordance with PLE's limited warranty. Testing and other quality control techniques are used to the extent PLE deems necessary to support this warranty. Except where mandated by specific contractual documents, testing of all parameters of each product is not necessarily performed.

PLE assumes no liability for application assistance or customer product design. Customers are responsible for their products and applications using PLE components. To minimize the risks associated with the customer products and applications, customers should provide adequate design and operating safeguards.

PLE products are not designed, intended, authorized or warranted to be suitable for use in life support applications, weapons, weapon systems or space applications, devices or systems or other critical applications that may involve potential risks of death, personal injury or severe property or environmental damage. Inclusion of PLE products in such applications is understood to be fully at the risk of the customer. Use of PLE products in such applications requires the written approval of an appropriate PLE officer. Questions concerning potential risk applications should be directed to PLE.

PLE does not warrant or represent that any license, either express or implied, is granted under any PLE patent right, copyright, artwork or other intellectual property right relating to any combination, machine or process which PLE product or services are used. Information published by PLE regarding third-party products or services does not constitute a license from PLE to use such products or services or a warranty or endorsement thereof. Use of such information may require a license from a third party under the patents or other intellectual property of the third party, or a license from PLE under the patents or other intellectual property of PLE.

Reproduction of information in PLE data sheets or web site is permissible only if the reproduction is without alteration and is accompanied by associated warranties, conditions, limitations and notices. Reproduction of this information with alteration is an unfair and deceptive business practice. PLE is not responsible or liable for such altered documents.

Resale of PLE products or services with statements different from or beyond the parameters stated by PLE for that product or service voids all express and implied warranties for the associated PLE product or service and is an unfair or deceptive business practice. PLE is not responsible for any such statements.

Contacting Pletronics Inc.

Pletronics Inc.
19013 36th Ave. West
Lynnwood, WA 98036-5761 USA

Tel: 425-776-1880
Fax: 425-776-2760
E-mail: ple-sales@pletronics.com
URL: www.pletronics.com

Copyright © 2018, Pletronics Inc.