

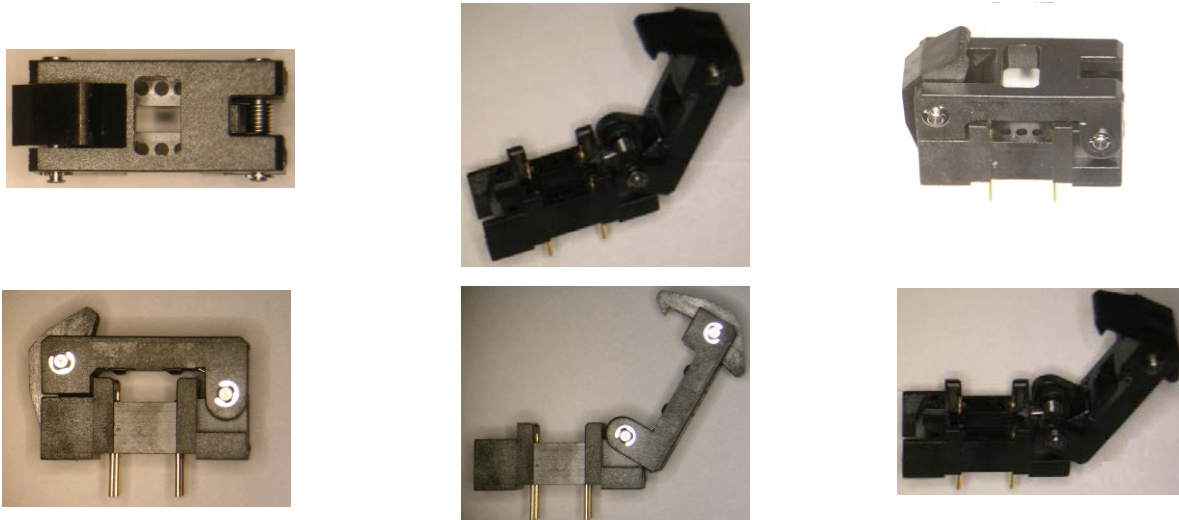
Test Sockets for Pletronics Crystals and Oscillators

Pletronics has sockets available to hold the SMD crystals and oscillators for testing.

Model: 5X7-6socket-A

For Pletronics Devices:	LV77xxD	PE77xxD
	LV88xxD	PE88xxD
	LV93xxD	PE93xxD
	LV99xxD	PE99xxD

The socket is a “clam shell” device that holds the device against pogo pins. See the next page for socket details:



Do note that the sockets will degrade the high frequency waveform performance of the device, the sockets do have a finite lead length that adds inductance in series with the device. The devices being tested do perform better when mounted on a well-designed PCB.

Socket care:

- Excessive high solder temperatures on the pogo pins barrels will degrade the internal springs.
- The sockets are rated for use to 105°C, higher temperature sockets are available.

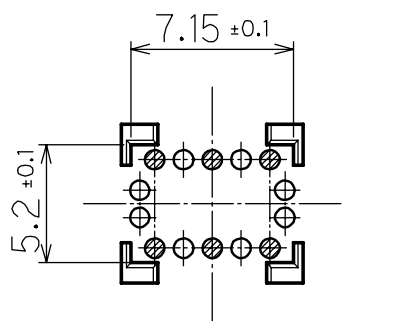


Pletronics, Inc.
19013 36th Ave. West PO Box 2607 Lynnwood, Washington 98036 U.S.A.
T: 1-425-776-1880 F: 1-425-776-2760 E: ple-sales@pletronics.com
www.pletronics.com

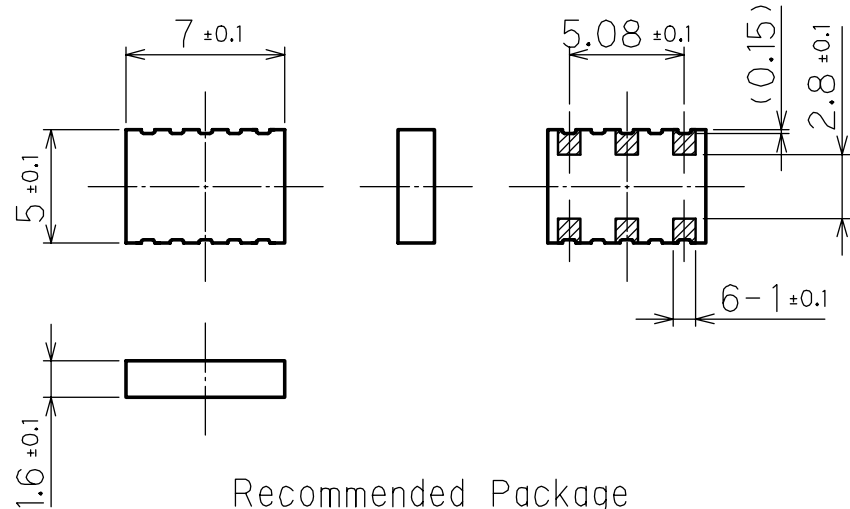
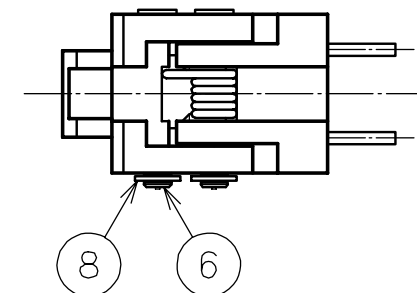
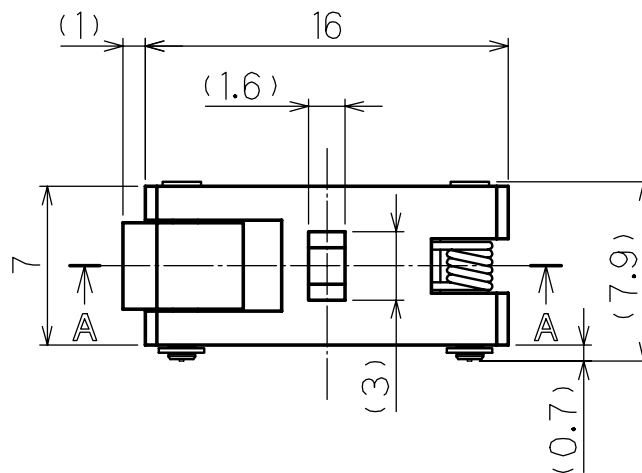
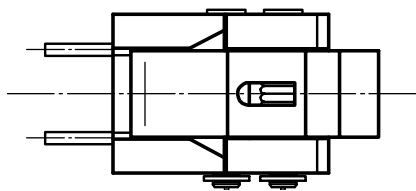
January 2008

Confirmed by
Authorized Signature

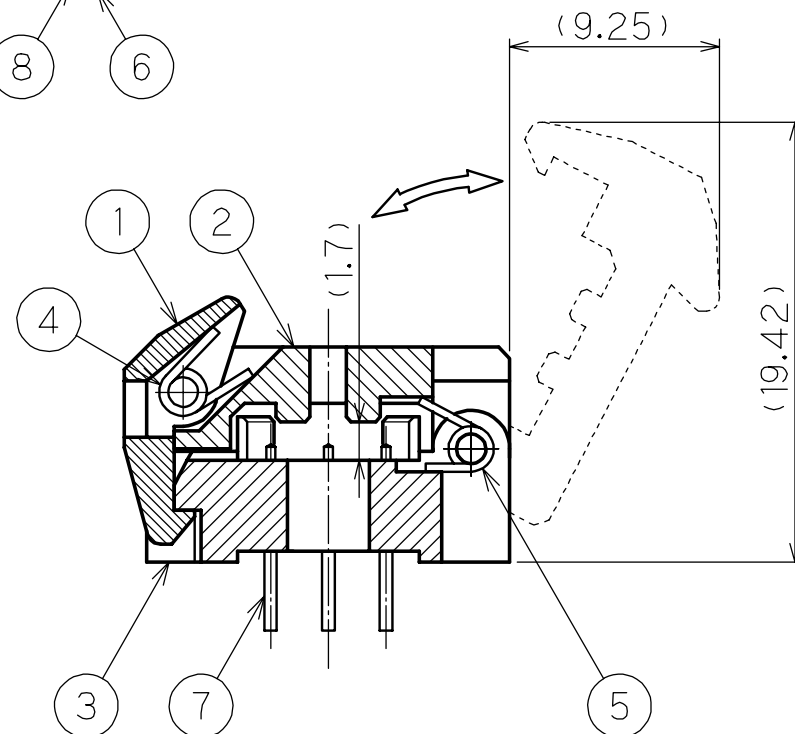
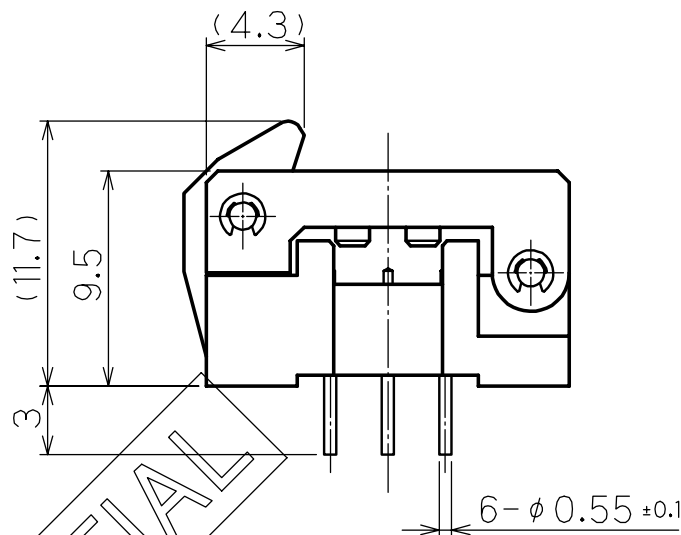
DRW No 0
FILE No AM0393-350-E



CRYSTAL INSERT PART DETAIL

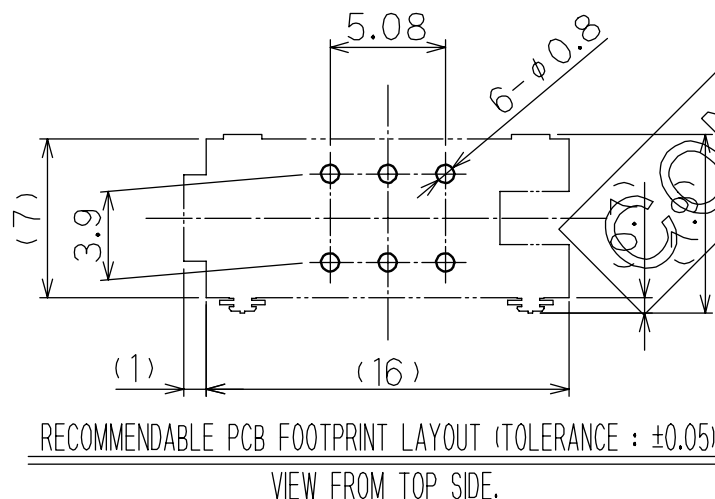


Recommended Package

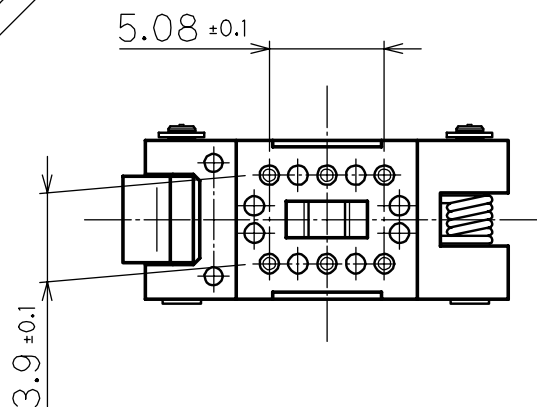


SEC. A-A

SEND OUT
FEB.17.2006
S.E.R. CORPORATION



RECOMMENDABLE PCB FOOTPRINT LAYOUT (TOLERANCE : ±0.05)
VIEW FROM TOP SIDE.



8	E-RING	2	SUS	φ0.8
7	PROBE	6	Au PLATING	MS0125-50
6	PIN D	2	SUS	PS0255-00
5	SPRING F1	1	SUS	SP0097-10
4	SPRING E1	1	SUS	SP0096-10
3	HOUSING	1	PPS UL94V-0	HM0335-H
2	COVER	1	PPS UL94V-0	HM0332-C
1	LATCH	1	PPS UL94V-0	HM0149-R
No. COMPONENTS		Q' TY	MATERIAL	TYPE No.

△				
△				
△				
No	DATE	REVISION	DRW	APP

MATERIAL	FINISH	REMARK	DRAW	CHK	APP	P/N	AM0393-350	/
			AIZAWA	IRIE	ENDO	TITLE	QC-7X5-1.6-06P-00S	
UNIT : mm			MAY.14.2001	MAY.15.2001	MAY.16.2001	S.E.R. CORPORATION		

CONFIDENTIAL