

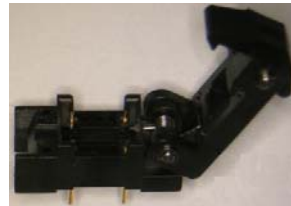
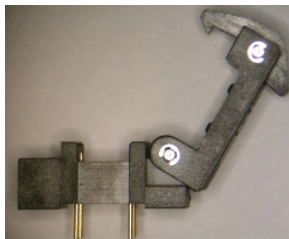
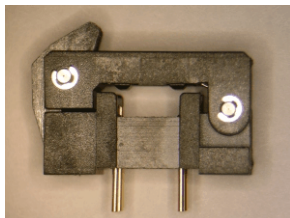
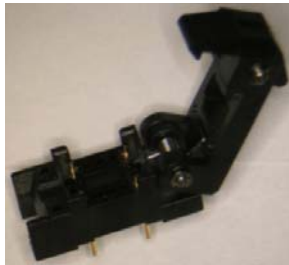
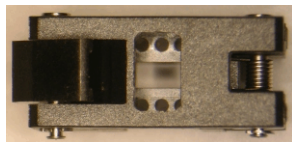
Test Sockets for Pletronics Crystals and Oscillators

Pletronics has sockets available to hold the SMD crystals and oscillators for testing.

Model: SM44socket-A

For Pletronics Devices: SM44xxT

The socket is a “clam shell” device that holds the device against pogo pins. See the next page for socket details:



Do note that the sockets will degrade the high frequency waveform performance of the device, the sockets do have a finite lead length that adds inductance in series with the device. The devices being tested do perform better when mounted on a well-designed PCB.

Socket care:

- Excessive high solder temperatures on the pogo pins barrels will degrade the internal springs.
- The sockets are rated for use to 105°C, higher temperature sockets are available.



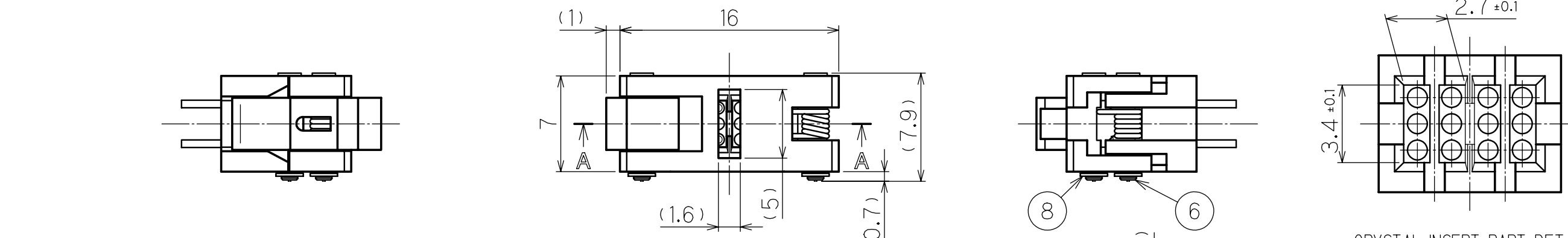
Pletronics, Inc.

19013 36th Ave. West PO Box 2607 Lynnwood, Washington 98036 U.S.A.
T: 1-425-776-1880 F: 1-425-776-2760 E: ple-sales@pletronics.com
www.pletronics.com

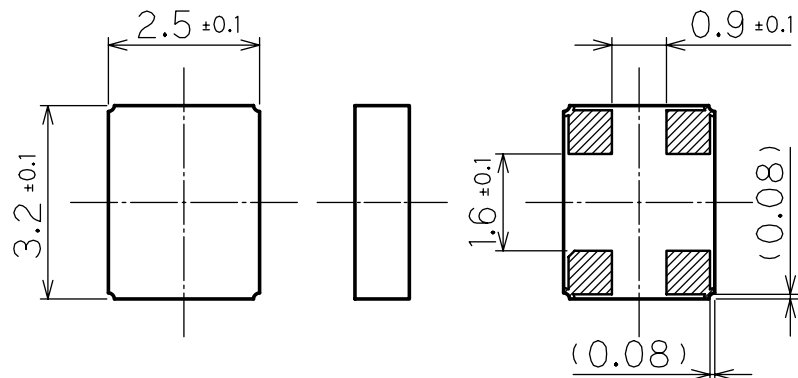
January 2008

Confirmed by _____
 Authorized Signature _____

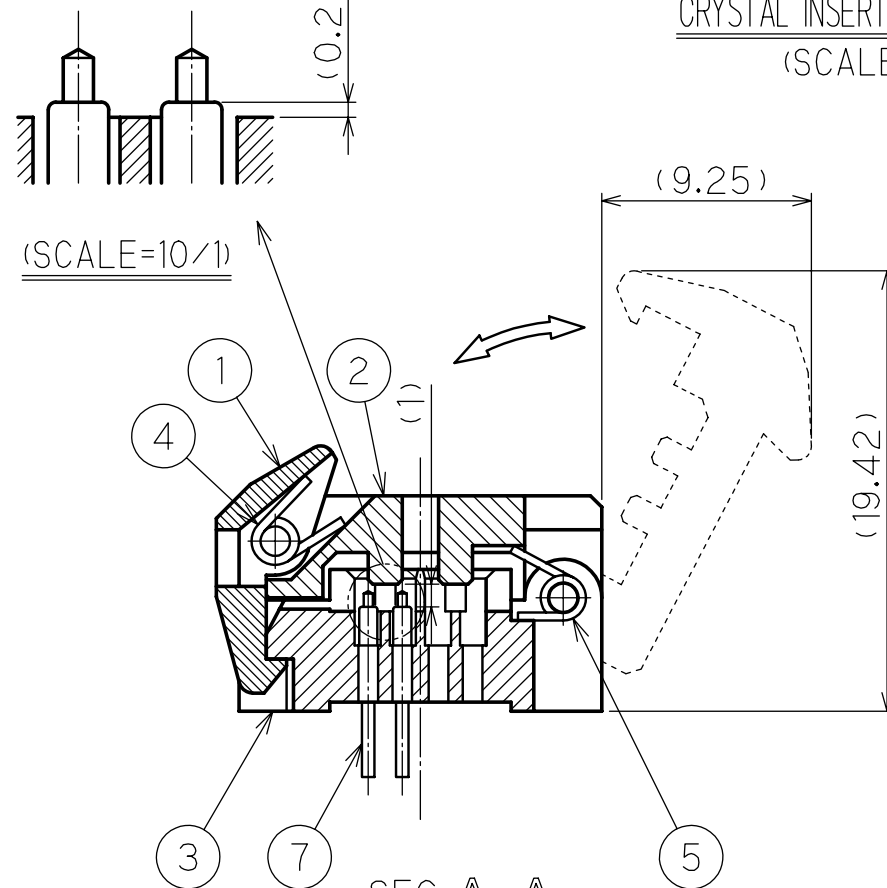
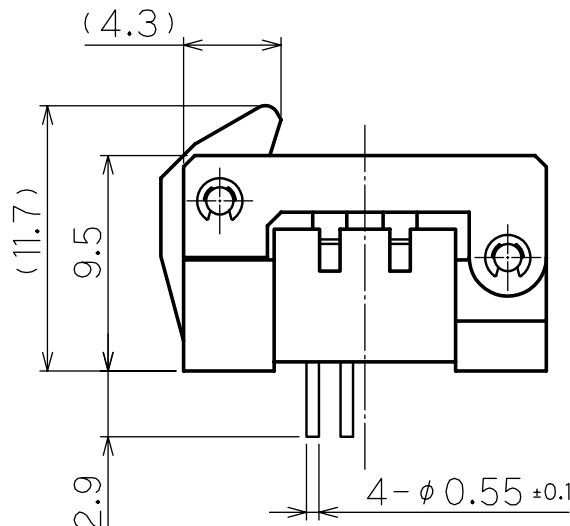
DRW No 0
 FILE No AM0295-20R-E



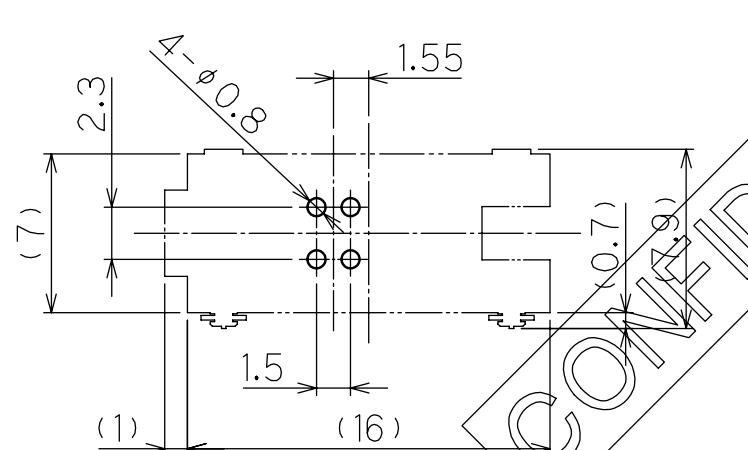
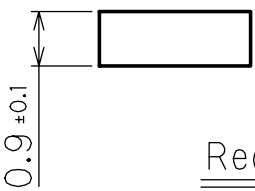
CRYSTAL INSERT PART DETAIL
 (SCALE=5/1)



Recommended Package
 (SCALE=8/1)



SEC. A-A



RECOMMENDABLE PCB FOOTPRINT LAYOUT (TOLERANCE : ±0.05)
 VIEW FROM TOP SIDE.

CONFIDENTIAL

SEND OUT
 APR.22.2005
 S.E.R. CORPORATION

8	E-RING	2	SUS	φ0.8
7	PROBE	4	AU PLATING	MS0125-50
6	PIN D	2	SUS	PS0255-00
5	SPRING F1	1	SUS	SPO097-10
4	SPRING E1	1	SUS	SPO096-10
3	HOUSING	1	PPS UL94V-0	HM0328-H
2	COVER	1	PPS UL94V-0	HM0180-C
1	LATCH	1	PPS UL94V-0	HM0149-R
No. COMPONENTS		Q' TY	MATERIAL	TYPE No.

No	DATE	REVISION	DRW	APP	UNIT : mm	3RD A.P	SCALE	GENERAL DIFFERENCE	DRAW	CHK	APP	P/N	TITLE
							3 / 1	0.5	YAGI	AIZAWA	IRIE	AM0295-20R	QC-3.2X2.5-0.9-04P-00S
									APR.22.2005	APR.22.2005	APR.22.2005	S.E.R. CORPORATION	