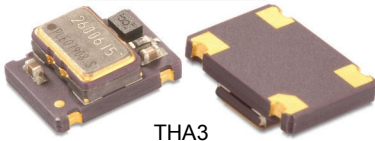




# PLETRONICS THA3 Series STRATUM-III TYPE TCXO / TCVCXO



THA3  
5.0 x 7.0 x 2.6 mm  
LCC Ceramic Package

## Features

- Pletronics' THA3 Stratum-III Type Series Temperature Compensated Crystal Oscillator
- Optional Voltage Control Function
- Low Power / Fast Warm Up
- CMOS Output
- 2.8V to 3.3V nominal Supply Voltage
- See table for developed Frequencies

## Applications

SONET / SDH / DWDM  
Test & Measurement  
Telecom Transmission & Switching Equipment  
Base Stations / Picocell  
Wireless Communication Equipment

## Electrical Characteristics

Parameter	Min	Typ	Max	Unit	Condition (Consult factory for other options)	
Frequency Range <sup>2</sup>	8.192	-	40.0	MHz	See table below for developed frequencies	
Frequency Stability vs. Temperature <sup>2</sup>	-	±0.28	-	ppm	(f <sub>max</sub> - f <sub>min</sub> ) / 2	
Frequency Initial Calibration	-	-	±1.0	ppm	25°C ± 2°C, 24 hours after reflow	
Operating Temperature Range <sup>2</sup>	-40	-	+85	°C	Widest range available	
Supply Voltage <sup>1,2</sup> V <sub>CC</sub>	2.8	-	3.3	Volts	± 5%	
Supply Current I <sub>CC</sub>	-	-	7.0	mA	Load: 15 pF, V <sub>CC</sub> ± 5%	
24 Hour Holdover	-	-	±0.37	ppm		
Frequency Stability vs. Supply	-	-	±0.2	ppm	Load: 15 pF, V <sub>CC</sub> ± 5%	
Frequency Stability vs. Load	-	-	±0.2	ppm	Load: 15 pF, V <sub>CC</sub> ± 5%	
Vcontrol Range	0.5	-	2.5	Volts	1.50 volts nominal for V <sub>CC</sub>	
Frequency Pullability <sup>2</sup>	0	±8.0	±12.0	ppm	Positive Slope	
Linearity	-	-	2.0	%		
Output Waveform	CMOS					
Duty Cycle	40	50	60	%	Load: 15 pF	
Output V <sub>HIGH</sub>	90	-	-	%V <sub>DD</sub>	V <sub>th</sub> : T <sub>R</sub> and T <sub>F</sub> 10% and 90% of amplitude V <sub>th</sub> : D.C. 50% of amplitude	
Output V <sub>LOW</sub>	-	-	10	%V <sub>DD</sub>		
Output T <sub>RISE</sub> and T <sub>FALL</sub>	-	-	6.5	nS		
Startup Time	-	-	3.0	S	Time to reach specified frequency	
Long term stability (Aging)	-	±3.0	-	ppm	After 15 years	
Jitter	-	0.6	-	pS	Frequency offset from carrier 12 kHz to 5 MHz, typical performance at 20.0 MHz	
Phase Noise	10 Hz 100 Hz 1 kHz 10 kHz	-	-100 -120 -134 -144	-	dBc/Hz	25°C ± 2°C at 26.0 MHz
Storage Temperature Range	-55	-	+95	°C		

Note: <sup>1</sup> Place a 10nF power supply bypass capacitor next to device for correct operation  
<sup>2</sup> Specified by part number.

**The following is a list of developed frequencies. Consult factory for other options.**

8.192M, 9.60M, 9.72M, 10.00M, 12.80M, 13.00M, 16.384M,  
19.20M, 19.44M, 20.00M, 25.60M, 26.00M, 40.00M only



# PLETRONICS THA3 Series STRATUM-III TYPE TCXO / TCVCXO

## Part Number (Possible Options shown)

Series Model	V <sub>CC</sub> Supply Voltage <sup>1</sup>		Operating Temperature		Stability <sup>1,2</sup>	Pullability <sup>1</sup>	Frequency
	Lowest	Highest	Lowest	Highest	(ppm)	(ppm)	(MHz)
THA3	031	035	G	K	280	008	-19.44M
	031 = 3.1 for 3.3 volts nominal 029 = 2.9 for 3.0 volts nominal 027 = 2.7 for 2.8 volts nominal	035 = 3.5 for 3.3 volts nominal 031 = 3.1 for 3.0 volts nominal 029 = 2.9 for 2.8 volts nominal	A = +10°C B = +5°C C = +0°C D = -5°C E = -10°C F = -15°C G = -20°C H = -25°C J = -30°C K = -35°C L = -40°C	A = +40°C B = +45°C C = +50°C D = +55°C E = +60°C F = +65°C G = +70°C H = +75°C J = +80°C K = +85°C	280 = ± 0.28 500 = ± 0.5	000 = TCXO 005 = ± 5 008 = ± 8	10 - 40 MHz <b>Developed:</b> 8.192M, 9.60M, 9.72M, 10.00M, 12.80M, 13.00M, 16.384M, 19.20M, 19.44M, 20.00M, 25.60M, 26.00M, 40.00M

<sup>1</sup> Contact Factory for non-standard specifications

<sup>2</sup> Not all stabilities are available with all operating temperature ranges. Contact Factory for exact combinations available.

## Device Marking

PFFFF	OR	YMD FFFF.zzz YMD PLEzzzzz	OR	FFFF zzz P zzzzzz YMD	OR	FFFF zzz PLE zz YWWz	OR	FFFF zzz PLE z YWWz
-------	----	------------------------------------	----	-----------------------------	----	-------------------------	----	------------------------

- P or PLE = Pletronics
- FFFF = Frequency in MHz
- YWW = Date Code (year week)
- YMD = Date code (year month day) - See table below (may appear in any one of the locations shown)
- z = Internal factory codes

**Note: Output Frequency may be half the Crystal Frequency marking, depending on requirements.**

Specifications such as part number, frequency stability, supply voltage and operating temperature range, etc. are not identified from marking.

External packaging labels and packing list will correctly identify the ordered Pletronics part number.

### Codes for Date Code YMD (Year Month Day)

Code	8	9	0	1	2	Code	A	B	C	D	E	F	G	H	J	K	L	M
Year	2018	2019	2020	2021	2022	Month	JAN	FEB	MAR	APR	MAY	JUN	JUL	AUG	SEP	OCT	NOV	DEC

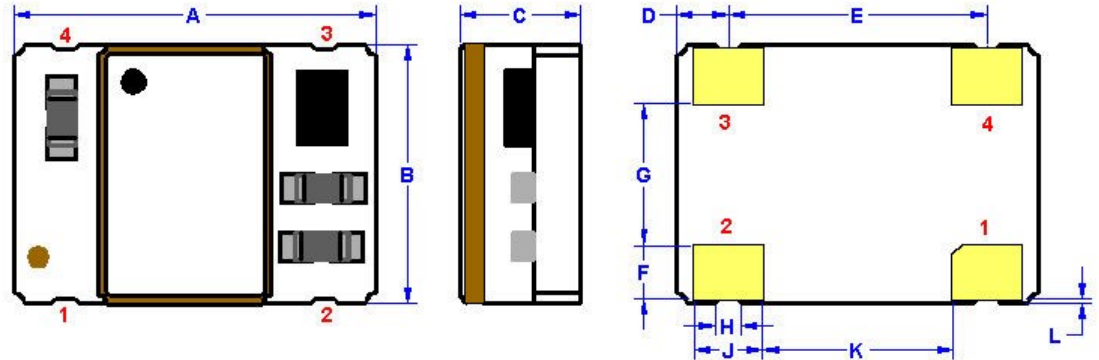
Code	1	2	3	4	5	6	7	8	9	A	B	C	D	E	F	G	H	J	K	L	M	N	P	R	T	U	V	W	X	Y	Z
Day	1	2	3	4	5	6	7	8	9	10	11	12	13	14	15	16	17	18	19	20	21	22	23	24	25	26	27	28	29	30	31



# PLETRONICS THA3 Series STRATUM-III TYPE TCXO / TCVCXO

## Mechanical Dimensions

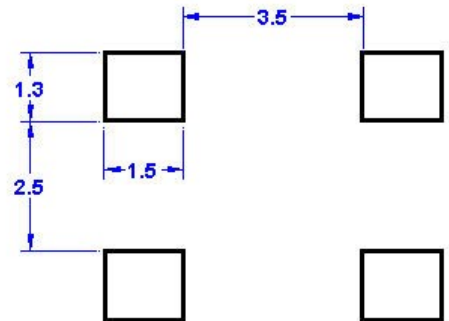
	Inches	mm
A	0.276 ± 0.006	7.00 ± 0.15
B	0.197 ± 0.006	5.00 ± 0.15
C	0.104 max	2.65 max
D <sup>1</sup>	0.038	0.96
E <sup>1</sup>	0.200	5.08
F <sup>1</sup>	0.043	1.10
G <sup>1</sup>	0.102	2.60
H <sup>1</sup>	0.024	0.60
J <sup>1</sup>	0.055	1.40
K <sup>1</sup>	0.145	3.68
L <sup>1</sup>	0.004	0.10



<sup>1</sup> Typical dimensions

### Pad Layout mm shown (Top View)

Disclaimer: Recommended layout shown.  
Adjust pad layout as needed for individual  
process requirements.  
Solder mask required, as shown.



(Not to Scale)

**Contacts (pads):** Gold 11.8 to 39.4 μinches (0.3 to 1.0 μm) over Nickel 50 to 350 μinches (1.27 to 8.89 μm)

## Layout

Pad	Function	Note
1	Vcontrol Input	If this function is not specified, recommend connecting this pad to ground. EFC (Electronic Frequency Control).
2	Ground (GND)	
3	Output	CMOS
4	V <sub>CC</sub> Supply Voltage	Connect an appropriate 10nF power supply bypass capacitor as close as possible

For Optimum Jitter Performance, Pletronics recommends:

- A ground plane under the device
- Do not route large transient signals (both current and voltage) under the device
- Do not place near a large magnetic field such as a high frequency switching power supply
- Do not place near piezoelectric buzzers or mechanical fans
- Minimize air flow across the device



# PLETRONICS THA3 Series STRATUM-III TYPE TCXO / TCVCXO

## Package Labeling

Tape and Reel available for quantities of 250 to 1000 per reel, cut tape for < 250. 16mm tape, 8mm pitch.

P/N Label is 1" x 2.6" (25.4mm x 66.7mm)  
Font is Courier New  
Bar code is 39-Full ASCII

RoHS Label is 1" x 2.6" (25.4mm x 66.7mm)  
Font is Arial

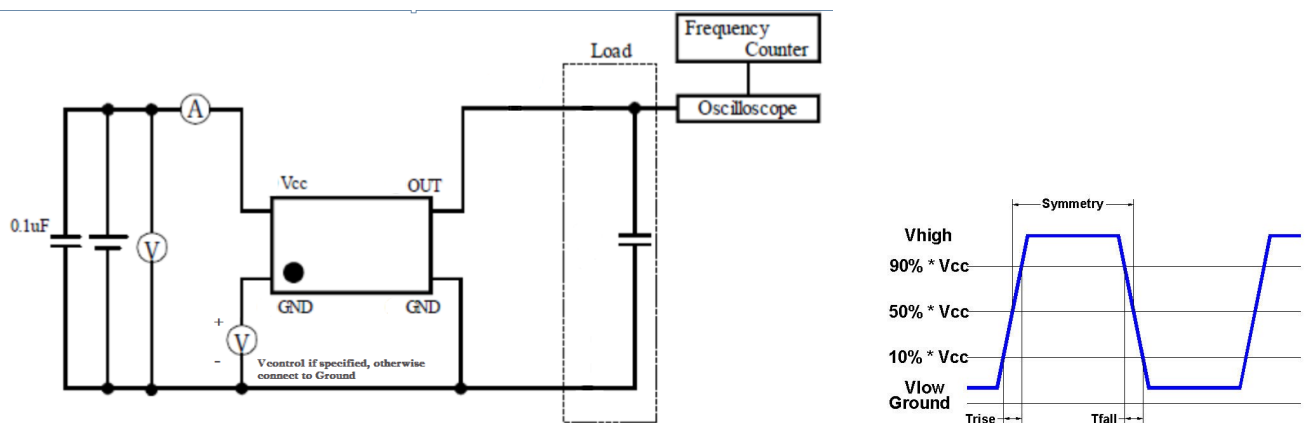
**P/N:** **THA3029036EG025000-10.0M**  
**Customer P/N:** **12345678**  
**Qty:** **1000** **D/C** **103-M8ZU4**  
MSL: 1

**RoHS Compliant**  
2nd Lvl Interconnect  
Category=e4  
Max Safe Temp=260C for 10s 2X Max

**Pletronics Inc. certifies this device is in accordance with the RoHS 3 (2015/863) and WEEE 2 (2012/19/EU) directives.**

Pletronics Inc. guarantees the device does not contain the following: Cadmium, Hexavalent Chromium, Lead, Mercury, PBB's, PBDE's  
Weight of the Device: 0.20 grams  
Moisture Sensitivity Level: 1 As defined in J-STD-020D  
Second Level Interconnect code: e4

## Electrical Test /Load Circuit



## Environmental / ESD Ratings

Reliability: Environmental Compliance

Parameter	Condition
Mechanical Shock	JESD22-B104
Vibration	JESD22-B103
Solderability	IPC J-STD-002
Thermal Shock	MIL-STD-883 Method 1011, Condition A

ESD Rating

Model	Min. Voltage	Condition
Human Body Model	2000V	JESD22-A114
Charged Device Model	500V	JESD 22-C101
Machine Model	200V	JESD22-A115

Absolute Maximum Ratings

Parameter	Unit
V <sub>CC</sub> Supply Voltage	-0.6V to +6V
V <sub>i</sub> Input Voltage	-0.6V to V <sub>CC</sub> + 0.6V
I <sub>o</sub> Output Current	-10mA to +10mA

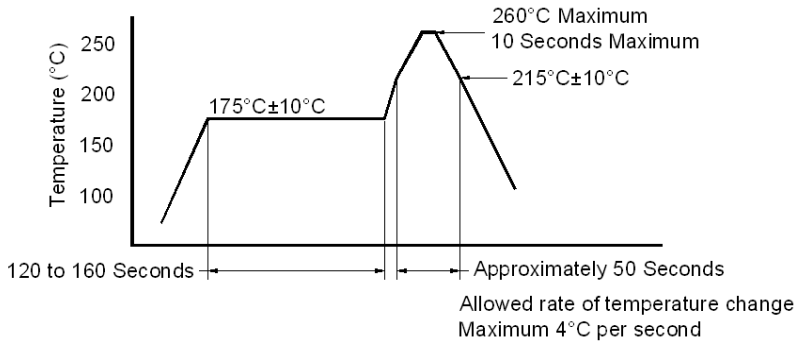
### Thermal Characteristics:

The maximum die or junction temperature is 155°C  
The thermal resistance junction to board is 30 to 50°C/Watt depending on the solder pads, ground plane and construction of the PCB.



# PLETRONICS THA3 Series STRATUM-III TYPE TCXO / TCVCXO

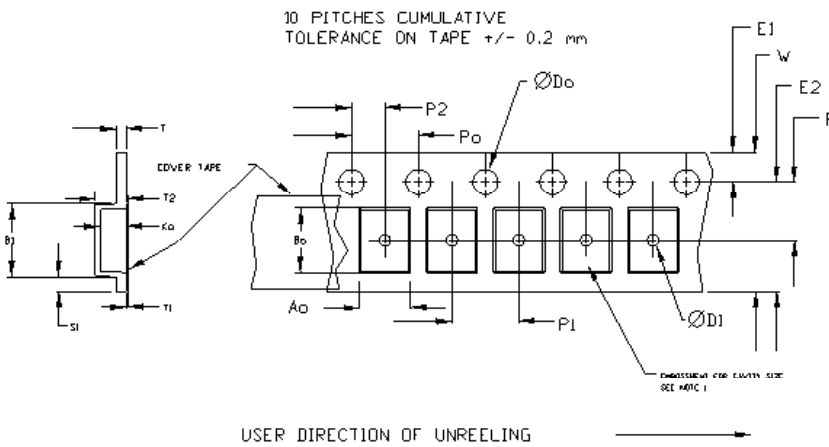
## Reflow Cycle



The part may be reflowed 2 times without degradation (typical for lead free processing).

Parts assembled with No Clean (NC) solder paste.

## Tape and Reel

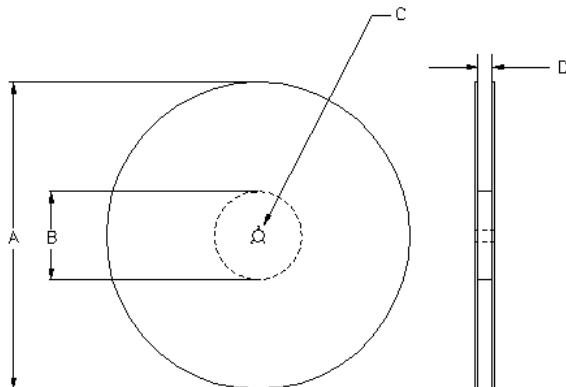


Tape Size	Do	D1 min	E1	Po	P2	S1 min	T max	T1 max
8mm	1.5	1.0	1.75	4.0	±0.05	0.6	0.6	0.1
12mm		1.5						
16mm		1.5						
24mm	+0.1 -0.0	1.5	±0.1	±0.1	±0.1			

Tape Size	B1 max	E2 min	F	P1	T2 max	W max	Ao, Bo & Ko
16mm	12.1	14.25	7.5 ±0.1	8.0 ±0.1	8.0	16.3	Note 1

Dimensions in mm Drawing Not to scale

Note 1: Embossed cavity to conform to EIA-481-B



Reel Size	A		B		C	D
	Inches	mm	Inches	mm		
7	7.0	177.8	2.50	63.5	13.0 +0.5 -0.2	Tape size +0.4 +2.0 -0.0
10	10.0	254.0	4.00	101.6		
13	13.0	330.2	3.75	95.3		



# PLETRONICS THA3 Series STRATUM-III TYPE TCXO / TCVCXO

## Important Notice

Pletronics Incorporated (PLE) reserves the right to make corrections, improvements, modifications and other changes to this product at anytime. PLE reserves the right to discontinue any product or service without notice. Customers are responsible for obtaining the latest relevant information before placing orders and should verify that such information is current and complete. All products are sold subject to PLE's terms and conditions of sale supplied at the time of order acknowledgment.

PLE warrants performance of this product to the specifications applicable at the time of sale in accordance with PLE's limited warranty. Testing and other quality control techniques are used to the extent PLE deems necessary to support this warranty. Except where mandated by specific contractual documents, testing of all parameters of each product is not necessarily performed.

PLE assumes no liability for application assistance or customer product design. Customers are responsible for their products and applications using PLE components. To minimize the risks associated with the customer products and applications, customers should provide adequate design and operating safeguards.

PLE products are not designed, intended, authorized or warranted to be suitable for use in life support applications, weapons, weapon systems or space applications, devices or systems or other critical applications that may involve potential risks of death, personal injury or severe property or environmental damage. Inclusion of PLE products in such applications is understood to be fully at the risk of the customer. Use of PLE products in such applications requires the written approval of an appropriate PLE officer. Questions concerning potential risk applications should be directed to PLE.

PLE does not warrant or represent that any license, either express or implied, is granted under any PLE patent right, copyright, artwork or other intellectual property right relating to any combination, machine or process which PLE product or services are used. Information published by PLE regarding third-party products or services does not constitute a license from PLE to use such products or services or a warranty or endorsement thereof. Use of such information may require a license from a third party under the patents or other intellectual property of the third party, or a license from PLE under the patents or other intellectual property of PLE.

Reproduction of information in PLE data sheets or web site is permissible only if the reproduction is without alteration and is accompanied by associated warranties, conditions, limitations and notices. Reproduction of this information with alteration is an unfair and deceptive business practice. PLE is not responsible or liable for such altered documents.

Resale of PLE products or services with statements different from or beyond the parameters stated by PLE for that product or service voids all express and implied warranties for the associated PLE product or service and is an unfair or deceptive business practice. PLE is not responsible for any such statements.

### Contacting Pletronics Inc.

Pletronics, Inc.  
19013 36th Ave. West  
Lynnwood, WA 98036-5761  
U.S.A.

Tel: 425.776.1880  
Fax: 425.776.2760  
email: ple-sales@pletronics.com

URL: [www.pletronics.com](http://www.pletronics.com)