

UCD4  
5.0 x 3.2 x 1.85 mm  
LCC Ceramic Package

## Features

- Pletronics' UCD4 Series Temperature Compensated Crystal Oscillator
- Optional Voltage Control Function
- Low Power / Fast Warm Up
- Clipped Sine Wave Output
- 2.5V to 3.3V nominal Supply Voltage
- Not all combinations possible - contact factory

## Applications

SONET / SDH / DWDM  
Test & Measurement  
Telecom Transmission & Switching Equipment  
Base Stations / Picocell  
Wireless Communication Equipment

## Electrical Characteristics

Parameter	Min	Typ	Max	Unit	Condition (Consult factory for other options)
Frequency Range <sup>2</sup>	10	-	40	MHz	See table below for developed frequencies
Frequency Stability vs. Temperature <sup>2</sup>	-	-	±0.5 ±1	ppm	Over -30°C to +85°C Over -40°C to +85°C at fixed V <sub>CC</sub> + load (reference to midpoint min/max frequency) See factory for other options
Frequency Initial Calibration		-	±2.0	ppm	Referenced to the value 25°C ± 2°C ; V <sub>c</sub> =1.5V if VCTCXO
Operating Temperature Range <sup>2</sup>	-40	-	+85	°C	Contact factory for wider ranges
Supply Voltage <sup>1,2</sup> V <sub>CC</sub>	2.5	-	3.3	Volts	± 5%
Supply Current I <sub>CC</sub>	-	2.5 3.0 4.0	-	mA	13 MHz 26 MHz 40 MHz Load: 10 Kohm    10 pF, V <sub>CC</sub> ± 5%
Frequency Stability vs. Supply	-	-	±0.2	ppm	Load: 10 Kohm    10 pF, V <sub>CC</sub> ± 5%
Frequency Stability vs. Load	-	-	±0.2	ppm	Load: 10 Kohm    10 pF, V <sub>CC</sub> ± 5%
Vcontrol Range	0.5	-	2.5	Volts	1.50 volts nominal for V <sub>CC</sub>
Frequency Pullability <sup>2</sup>	0	±8.0	±12.0	ppm	Positive Slope
Output Waveform	Clipped Sine Wave				Dc Coupled
Output Level	0.8	-	-	V p-p	Load: 10 Kohm    10 pF ± 10%
Startup Time	-	-	10.0	mS	Within ± 2.0 ppm of final frequency
Long Term Stability (Aging)	-	-	±1.0	ppm	First year at 25°C ± 2°C
Phase Noise	100 Hz 1 kHz 10 kHz 100 kHz	-	-120 -134 -148 -150	-	dBc/Hz 25°C ± 2°C at 26.0 MHz
Storage Temperature Range	-55	-	+95	°C	

Note: <sup>1</sup> Place a 10nF power supply bypass capacitor next to device for correct operation  
<sup>2</sup> Specified by part number.

**The following is a list of developed frequencies. Consult factory for other options.**

10.0M, 12.8M, 13.0M, 19.20M, 20.0M, 25.0M, 26.0M, 30.72M



Part Number (Possible Options shown)							
Series Model	V <sub>CC</sub> Supply Voltage <sup>1</sup>		Operating Temperature		Stability <sup>1,2</sup>	Pullability <sup>1</sup>	Frequency
	Lowest	Highest	Lowest	Highest	(ppm * 100)	(ppm)	(MHz)
UCD4	031	035	L	K	100	008	-20.0M
	<b>031</b> = 3.1 for 3.3 volts nominal <b>029</b> = 2.9 for 3.0 volts nominal <b>027</b> = 2.7 for 2.8 volts nominal <b>024</b> = 2.4 for 2.5 volts nominal	<b>035</b> = 3.5 for 3.3 volts nominal <b>031</b> = 3.1 for 3.0 volts nominal <b>029</b> = 2.9 for 2.8 volts nominal <b>026</b> = 2.6 for 2.5 volts nominal	<b>J</b> = -30°C <b>L</b> = -40°C	<b>J</b> = +80°C <b>K</b> = +85°C	<b>050</b> = ± 0.5 <b>100</b> = ± 1.0	<b>000</b> = TCXO <b>005</b> = ± 5 <b>008</b> = ± 8 <b>012</b> = ± 12	10 - 40 MHz

<sup>1</sup> Contact Factory for non-standard specifications

<sup>2</sup> Not all stabilities are available with all operating temperature ranges. Contact Factory for exact combinations available.

## Device Marking

Pff.fM  • YMDxxx	ff.fM = Frequency in MHz YMD = Date code (see table below) P = Pletronics x = Internal Factory Codes	Specifications such as part number, frequency stability, supply voltage and operating temperature range, etc. are not identified from marking.  External packaging labels and packing list will correctly identify the ordered Pletronics part number.
------------------------	---	--

Code	3	4	5	6	7	Code	A	B	C	D	E	F	G	H	J	K	L	M
Year	2023	2024	2025	2026	2027	Month	JAN	FEB	MAR	APR	MAY	JUN	JUL	AUG	SEP	OCT	NOV	DEC

Code	1	2	3	4	5	6	7	8	9	A	B	C	D	E	F	G	H	J	K	L	M	N	P	R	T	U	V	W	X	Y	Z
Day	1	2	3	4	5	6	7	8	9	10	11	12	13	14	15	16	17	18	19	20	21	22	23	24	25	26	27	28	29	30	31

## Package Labeling

P/N Label is 1" x 2.6" (25.4mm x 66.7mm)  
 Font is Courier New  
 Bar code is 39-Full ASCII

RoHS Label is 1" x 2.6" (25.4mm x 66.7mm)  
 Font is Arial

**P/N:**   
PLE Part Number  
**Customer P/N:**   
12345678  
**Qty:**   
1000      **D/C**   
1DW  
MSL: 1

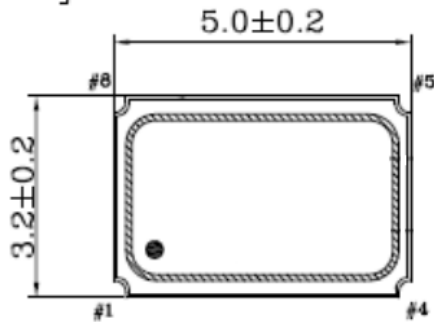
**RoHS Compliant**  
 2nd Lvl Interconnect  
 Category=e4  
 Max Safe Temp=260C for 10s 2X Max

### Pletronics Inc. certifies this device is in accordance with the RoHS and REACH directives.

Pletronics Inc. guarantees the device does not contain the following: Cadmium, Hexavalent Chromium, Lead, Mercury, PBB's, PBDE's  
 Weight of the Device: 0.10 grams  
 Moisture Sensitivity Level: 1 As defined in J-STD-020D  
 Second Level Interconnect code: e4

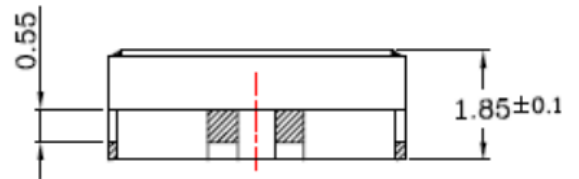
### Mechanical Dimensions (mm)

[ TOP VIEW ]

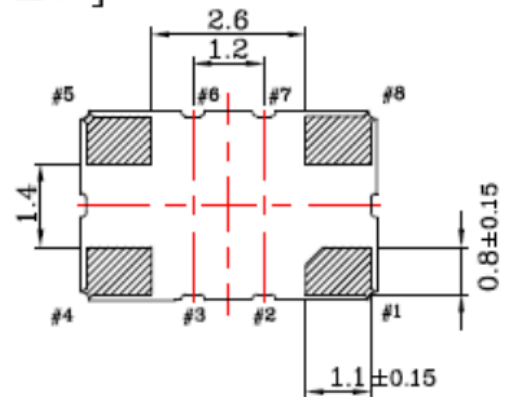


Pin 1 Mark

[ SIDE VIEW ]

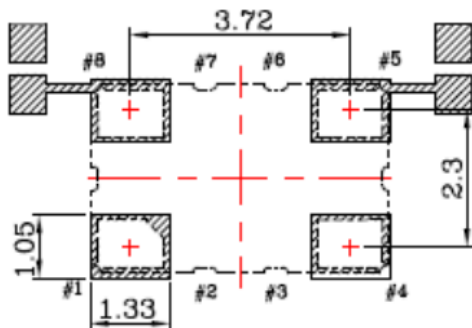


[ BOTTOM VIEW ]



### Recommended soldering pattern

★To ensure optimal oscillator performance, place a by-pass capacitor of 0.1uF as close to the part as possible between Vdd and GND pads.



### Pad Layout

Disclaimer: Recommended layout shown. Adjust layout as needed for individual process requirements.

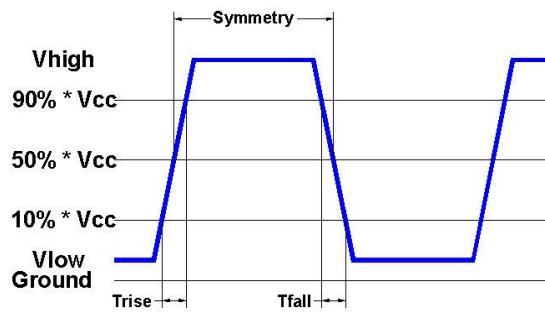
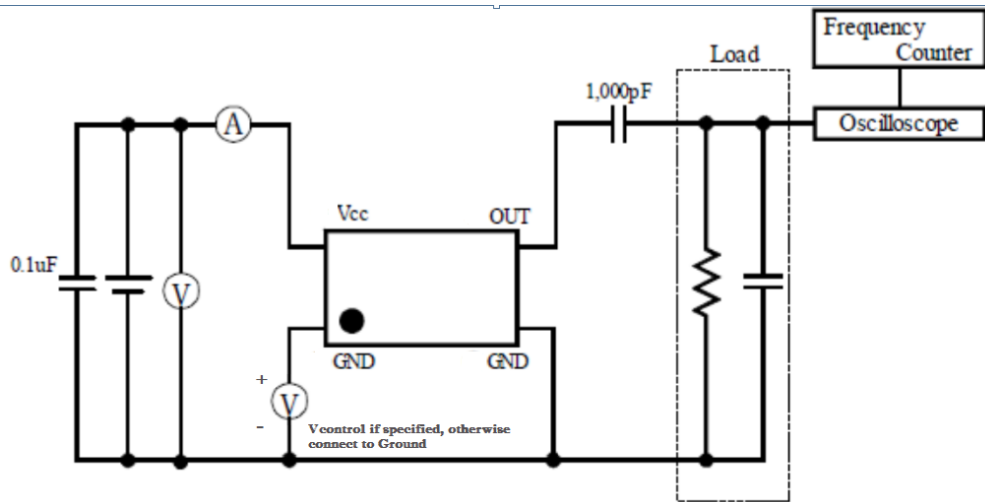
PIN#	FUNCTION
1	VCON:VC-TCXO NC:TCXO
4	GND
5	Fout
8	VDD

Contacts (pads): Gold (0.3 to 1.0 μm) over Nickel (1.27 to 8.89 μm)

For Optimum Jitter Performance, Pletronics recommends:

- A ground plane under the device
- Do not route large transient signals (both current and voltage) under the device
- Do not place near a large magnetic field such as a high frequency switching power supply
- Do not place near piezoelectric buzzers or mechanical fans
- Minimize air flow across the device

## Electrical Test /Load Circuit



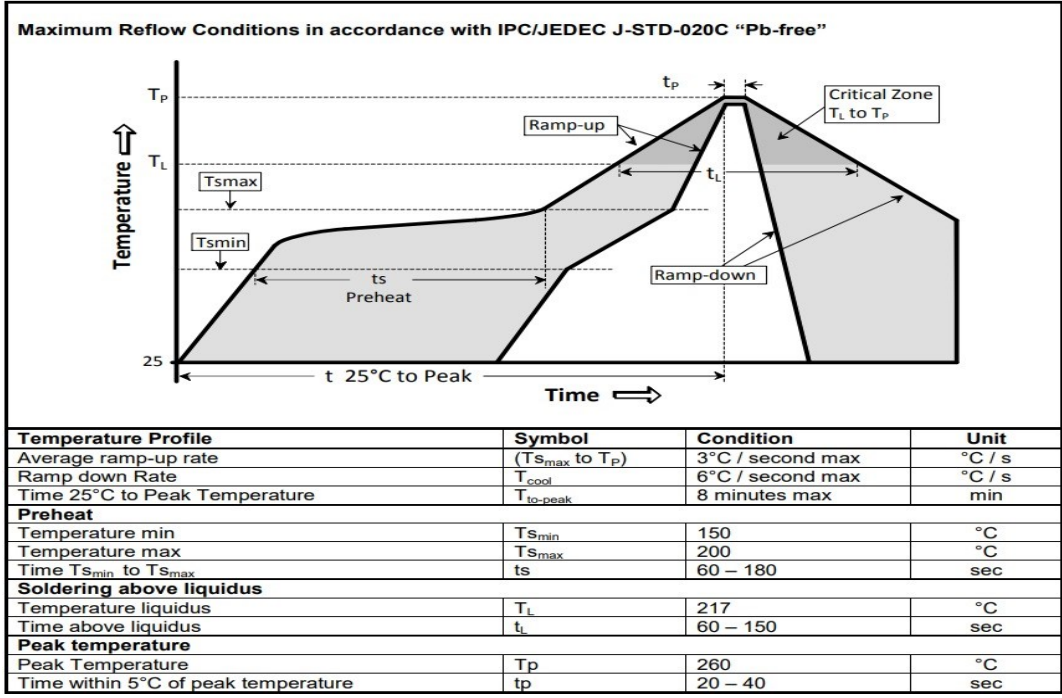
## Absolute Maximum Ratings

Parameter	Unit
V <sub>CC</sub> Supply Voltage	-0.6V to +4.6V
V <sub>i</sub> Input Voltage	-0.6V to V <sub>CC</sub> + 0.6V and less than 4.6V
I <sub>o</sub> Output Current	-10mA to +10mA

### Thermal Characteristics:

The maximum die or junction temperature is 125°C

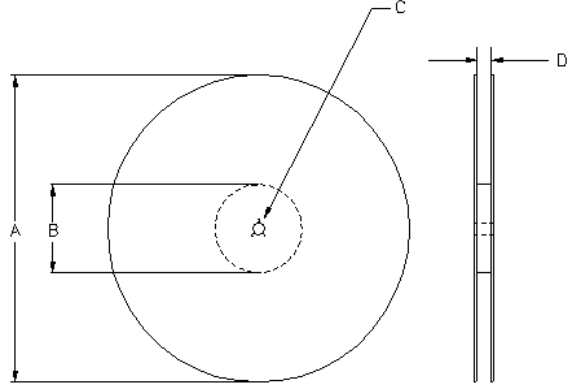
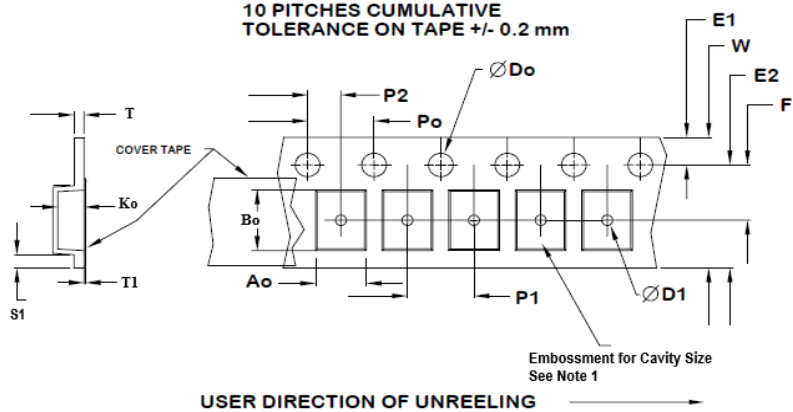
### Reflow Cycle



The part may be reflowed 2 times without degradation (typical for lead free processing).

### Tape and Reel

Tape and Reel available for quantities of 250 to 1000 per reel, cut tape for < 250. 12mm or 16mm tape, 8mm



Tape Size	E2 typ	F	P1	W max	Ao	Bo	Ko
12mm	10.25	5.5 ±0.05	8.0 ±0.1	12.2	3.6±0.1	5.4±0.1	1.4±0.1
16mm	14.25	7.5 ±0.05	8.0 ±0.1	16.3	3.6±0.1	5.4±0.1	1.4±0.1

Reel Size	A		B		C	D
	Inches	mm	Inches	mm		
7	7.0	177.8	2.50	63.5	13.0 +0.5 -0.2	Tape size +0.4 +2.0 -0.0
10	10.0	254.0	4.00	101.6		
13	13.0	330.2	3.75	95.3		

Dimensions in mm Drawing Not to scale  
Note 1: Embossed cavity to conform to EIA-481-B

Tape Size	Do	D1 min	E1	Po	P2	S1 min	T max	T1 max
12mm	1.5	1.5	1.75	4.0	2.0 ±0.05	0.6	0.3	0.1
16mm	+0.1 -0.0	1.5	±0.1	±0.1	2.0 ±0.1			



## Important Notice

Pletronics Incorporated (PLE) reserves the right to make corrections, improvements, modifications and other changes to this product at anytime. PLE reserves the right to discontinue any product or service without notice. Customers are responsible for obtaining the latest relevant information before placing orders and should verify that such information is current and complete. All products are sold subject to PLE's terms and conditions of sale supplied at the time of order acknowledgment.

PLE warrants performance of this product to the specifications applicable at the time of sale in accordance with PLE's limited warranty. Testing and other quality control techniques are used to the extent PLE deems necessary to support this warranty. Except where mandated by specific contractual documents, testing of all parameters of each product is not necessarily performed.

PLE assumes no liability for application assistance or customer product design. Customers are responsible for their products and applications using PLE components. To minimize the risks associated with the customer products and applications, customers should provide adequate design and operating safeguards.

PLE products are not designed, intended, authorized or warranted to be suitable for use in life support applications, weapons, weapon systems or space applications, devices or systems or other critical applications that may involve potential risks of death, personal injury or severe property or environmental damage. Inclusion of PLE products in such applications is understood to be fully at the risk of the customer. Use of PLE products in such applications requires the written approval of an appropriate PLE officer. Questions concerning potential risk applications should be directed to PLE.

PLE does not warrant or represent that any license, either express or implied, is granted under any PLE patent right, copyright, artwork or other intellectual property right relating to any combination, machine or process which PLE product or services are used. Information published by PLE regarding third-party products or services does not constitute a license from PLE to use such products or services or a warranty or endorsement thereof. Use of such information may require a license from a third party under the patents or other intellectual property of the third party, or a license from PLE under the patents or other intellectual property of PLE.

Reproduction of information in PLE data sheets or web site is permissible only if the reproduction is without alteration and is accompanied by associated warranties, conditions, limitations and notices. Reproduction of this information with alteration is an unfair and deceptive business practice. PLE is not responsible or liable for such altered documents.

Resale of PLE products or services with statements different from or beyond the parameters stated by PLE for that product or service voids all express and implied warranties for the associated PLE product or service and is an unfair or deceptive business practice. PLE is not responsible for any such statements.

### Contacting Pletronics Inc.

Pletronics, Inc.  
19013 36th Ave. West  
Lynnwood, WA 98036-5761  
U.S.A.

Tel: 425.776.1880  
Fax: 425.776.2760  
email: [ple-sales@pletronics.com](mailto:ple-sales@pletronics.com)

URL: [www.pletronics.com](http://www.pletronics.com)